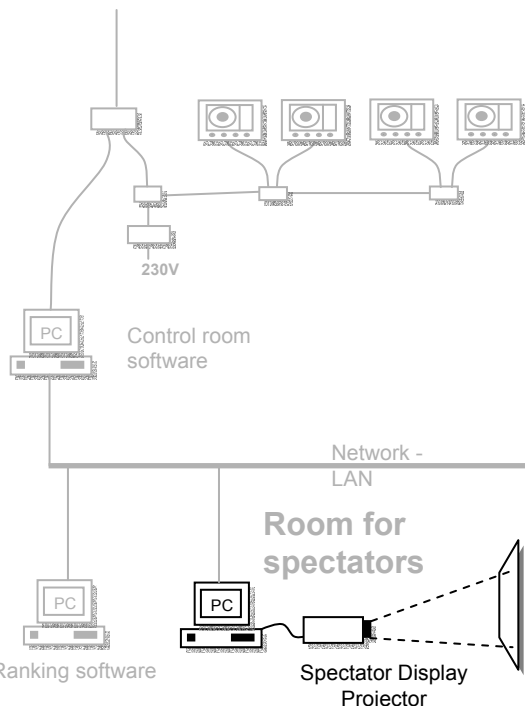


WinGPS - Spectator Display

Take good care of your spectators with WinGPS spectator display program. Display the shooters performances either graphically or as text, live at the range, in the club house, by Internet or WAP.

The program can be run on one or more PC's that are connected to the LAN network at the shooting range. If required, a projector can be connected to PC to give a larger image.



Lag 100	Finale	Omgang	200m
1	Silje Pedersen Trøgstad	3	2 Nils Olav Berg Trysilfjeld
	9.5 7.7 9.5 X.2 8.8 8.4 9.2 9.2 8.3 8.6 Sum 85 Tot 330		8.6 9.6 *7 8.9 9.9 X.3 *6 8.9 8.0 9.6 9.6 Sum 89 Tot 332
3	Stein Larsen Hegra	3	4 Trond Ask Lora
	9.4 8.8 8.3 8.4 8.5 9.9 8.3 9.3 9.6 9.8 Sum 85 Tot 327		*.5 9.0 9.5 8.6 8.5 9.3 X.3 8.9 8.8 X.1 X.1 Sum 89 Tot 331

Kongsberg Mikroelektronikk AS

Lag 3	Finale klasse 2-5	Prøveskudd	200m

Lag 100	Finale	Omgang	200m
1	Silje Pedersen	3	85 330
2	Nils Olav Berg	3	89 332
3	Stein Larsen	3	85 327
4	Trond Ask	3	89 331
5	Arnstein Ose	3	0 241
6	Olav Brattaker	3	0 241
7	Harald Pedersen	3	0 241
8	Ole Reidar Olsen	3	0 241
9	Lars Olderbekken	3	0 240
10	Geir Lasse Espe	3	0 240

Kongsberg Mikroelektronikk AS

Recommended use :

- All systems with targets produced by Kongsberg Mikroelektronikk AS

System information :

WinGPS Server:

The program is run on one of the machines in the network. This program gathers information from the control room software and sends it to the WinGPS monitor programs.

WinGPS Monitor:

The program can be run on one or more PC's in the network. The program can display from 1 to 25 lanes graphically.

Functions WinGPS		
Graphical display of 1 to 25 lanes		X
Text based display of 1 to 50 lanes		X
Orion can select which target(s) to be displayed on WinGPS Monitor(s) during finals		X
More than 80 colour selections on WinGPS Monitor		X
Marking in advance (for speaker)		X
Archive, view previous series		X
User-defined display profile (program)		X

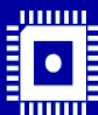
System requirements WinGPS Server :

	Minimum	Recommended
Processor	Pentium 200 MHz (Up to 10 lanes) Pentium II 400 MHz (More than 10 lanes)	Pentium II 400 MHz
Memory	32 MB	64 MB
Available disk space	20 MB	50 MB
Windows version	95 / 98 / Me / 2000 / XP	98 / 2000 / XP
Network	10 Mbit TCP/IP protocol	10/100 Mbit TCP/IP protocol

System requirements WinGPS Monitor:

	Minimum	Recommended
Processor	Pentium 100 MHz ²	Pentium 200 MHz ²
Memory	16 MB	32 MB
Available disk space	4 MB	10 MB
Monitor resolution	640x480	1024x768
Windows version	95 ¹ / 98 / Me / 2000 / XP	98 / 2000 / XP
Network	10 Mbit TCP/IP protocol	10/100 Mbit TCP/IP protocol

Withsgt. 12
N - 3613 Kongsberg
Norway



Kongsberg
Mikroelektronikk AS

Phone: +47 32 72 44 80
Fax: +47 32 72 44 64
email: kme@kme.no
http://www.kme.no