

Target model H3D

Target for shooting with both pistol and rifle, at all distances between 10m – 50m.

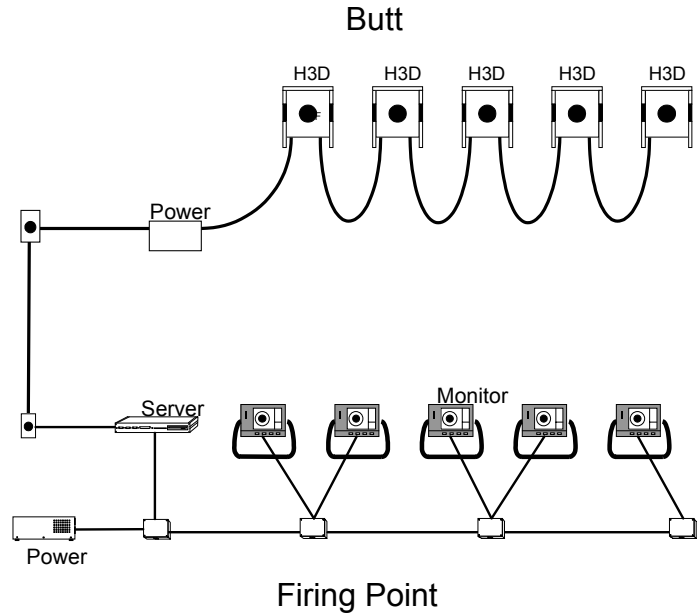
Easy to change aiming frame and distance.

The target frame is made of solid plywood. The sensors (4) are placed in the corners of the frame for maximum accuracy and stability. A vertical band with automatic feeding, seals the acoustic chamber.

10m, 15m: Paper band.
25m, 50m: Rubber band.

For shooting at 25m and 50m, the frame is protected by a 6mm steel plate. The steel plate is hinged for easy change of aiming frame and shooting distance.

The target can be delivered with a red and a green lamp for rapid fire pistol target. These lamps can be controlled in accordance with the shooting program, operated by either the control room software or by the shooter.



Recommended use:

- 10m air pistol and rifle
- 15m rifle (.22LR)
- 25m pistol (large and small calibre)
- 50m rifle (.22LR)

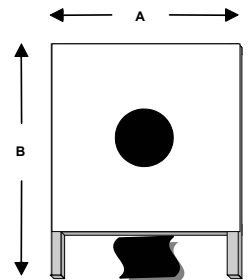
Technical:

Dimensions:

(with / without steel plate)

A .. 706 mm / 640 mm

B .. 1084 mm / 823 mm



50m Rifle



25-50m Pistol



25m Pistol
Rapid Fire



10m-15m Pistol/Rifle

Temperature range - 10 til + 60 °C

Paper band. Rifle 10-15m Width: 95mm. Length: 50m
Pistol 10m Width: 189mm. Length: 40m

Rubber band. 25-50m Width: 260 mm. Length: 10m

Weight..... 7 kg / 21 kg

